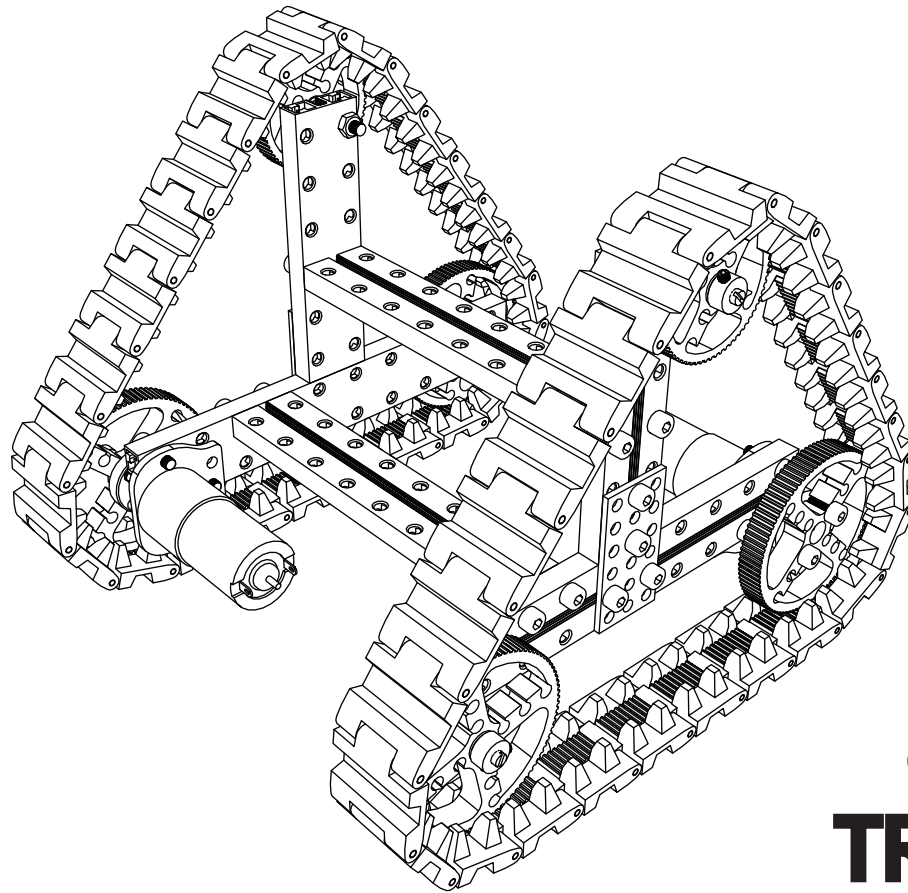


Makeblock

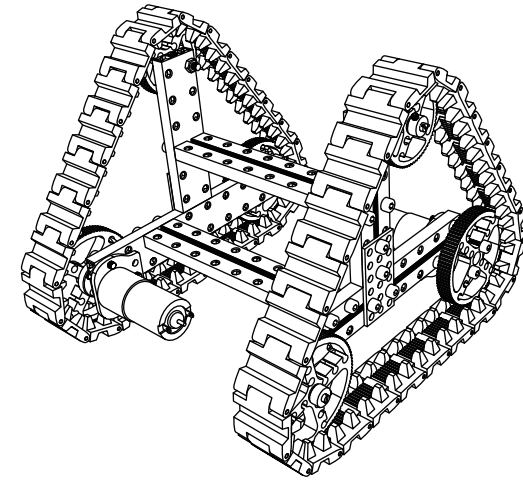
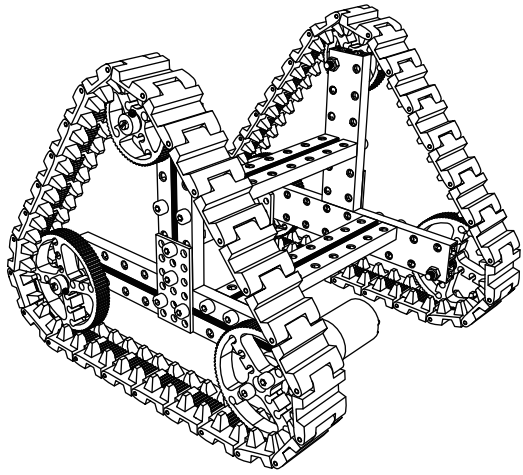
CONSTRUCT YOUR DREAMS



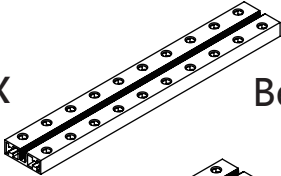


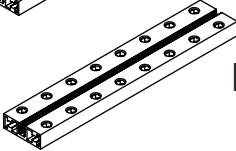
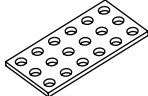

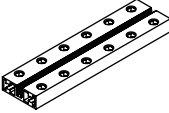







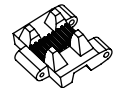
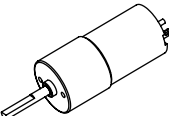




Suitable for use

- Advanced kit
- Ultimate kit
- Lab kit

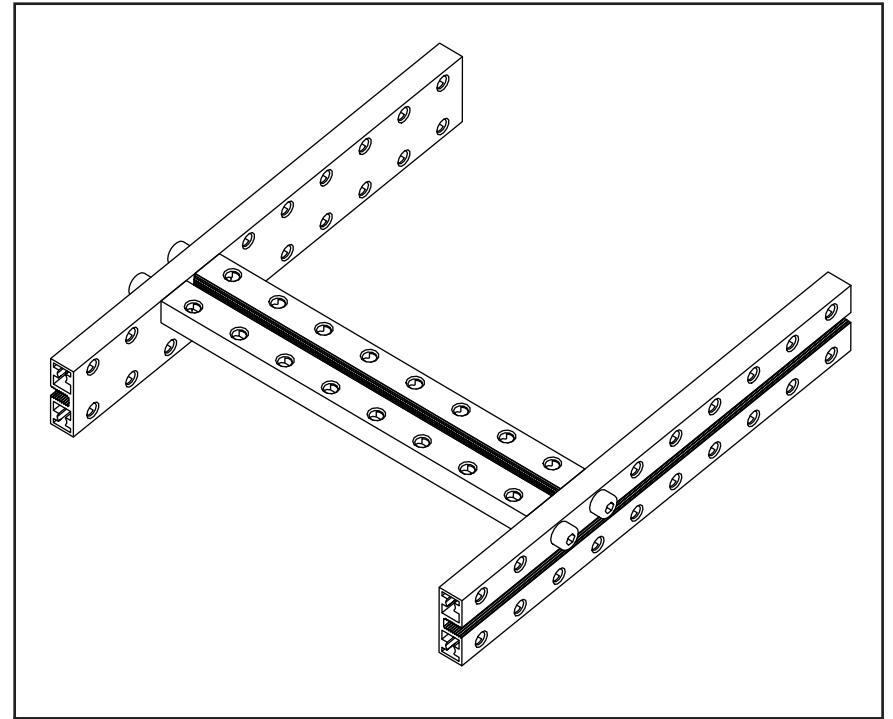
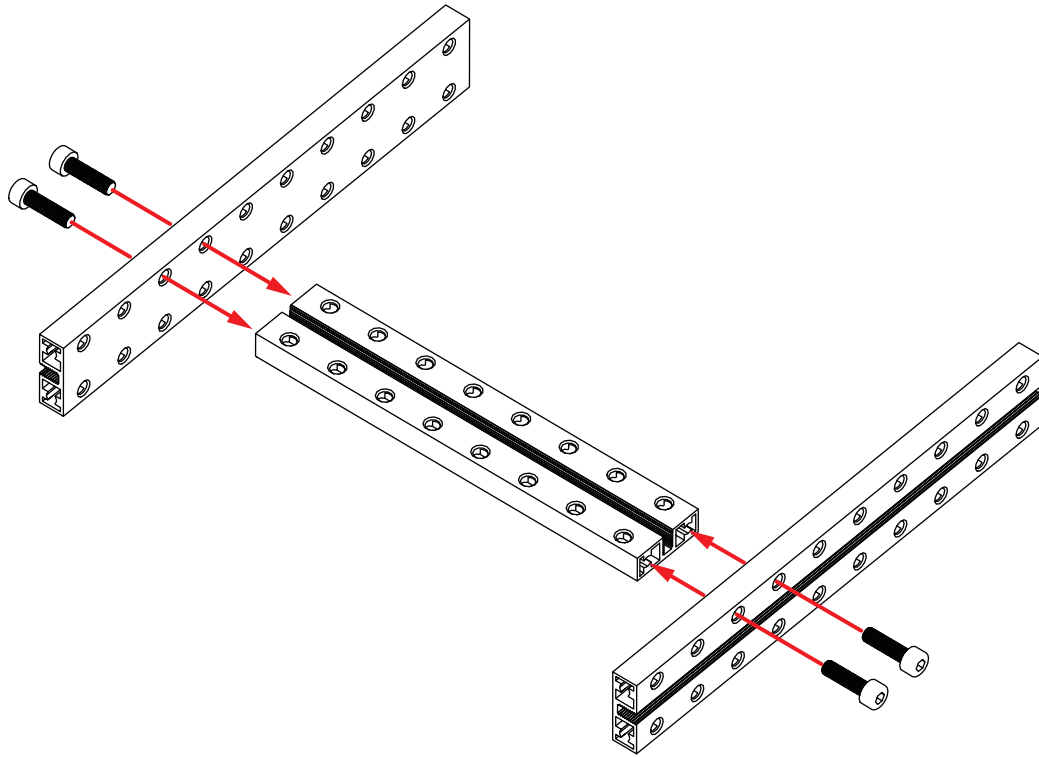
GUIDE FOR BUILDING THE **TRIANGULAR TANK**



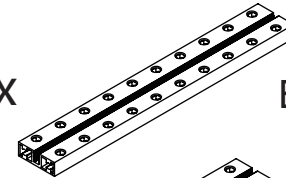
Part list

2x		Beam 0824-160	2x		DC Motor-25 Bracket	8x		Screw M4x8
2x		Beam 0824-128	2x		Plate 3x6	4x		Nut M4
2x		Beam 0824-96	2x		Shaft Connector-4	4x		Countersunk Screw M3x8
4x		Timing Pulley 90T	4x		Threaded Shaft 4X31mm	6x		Headless Screw M3x5
2x		Timing Pulley 62T	4x		Shaft Collar 4mm	50x		Track
2x		DC Motor-25	8x		Flange Bearing 4x8x3mm	50x		Track Axle
			8x		Plastic Ring 4x7x2			
			16x		Screw M4X14			

1

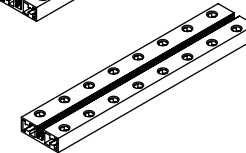


2x



Beam 0824-160

1x



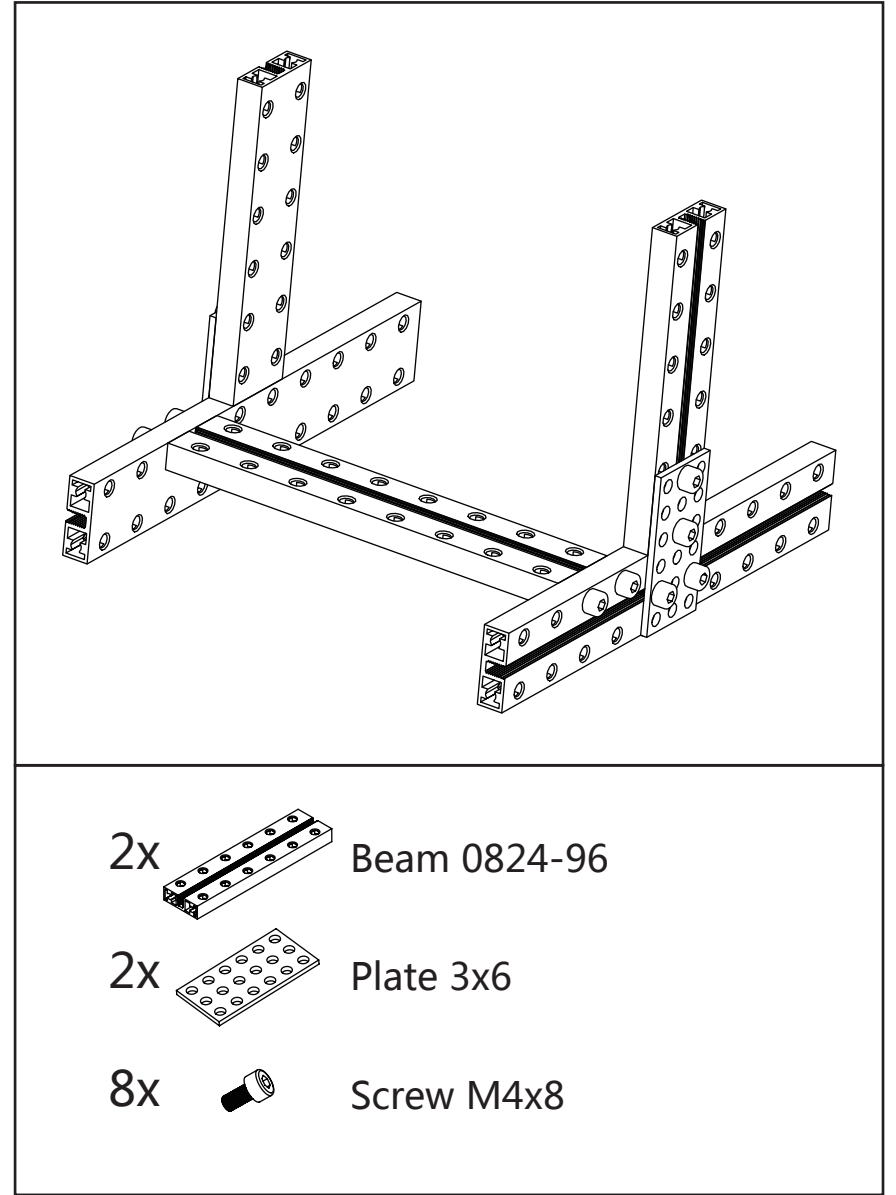
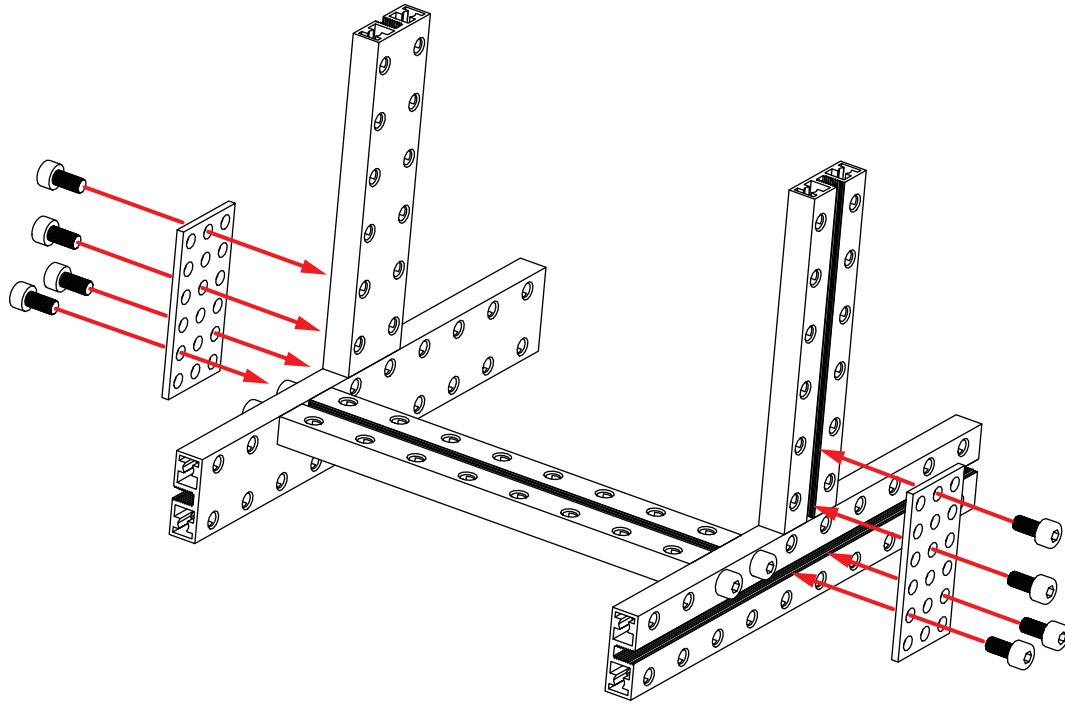
Beam 0824-128

4x

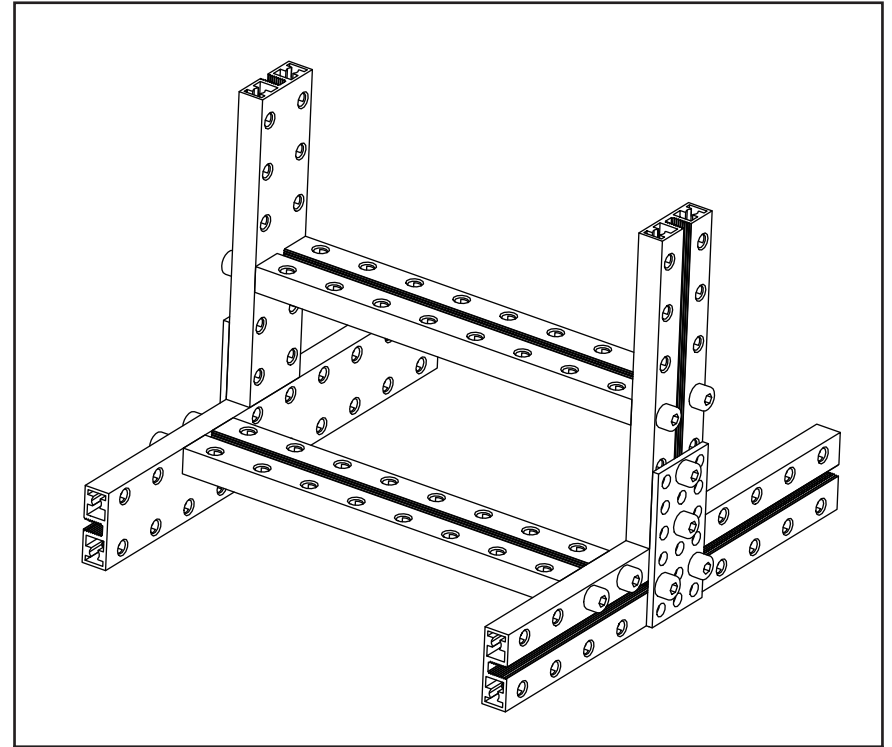
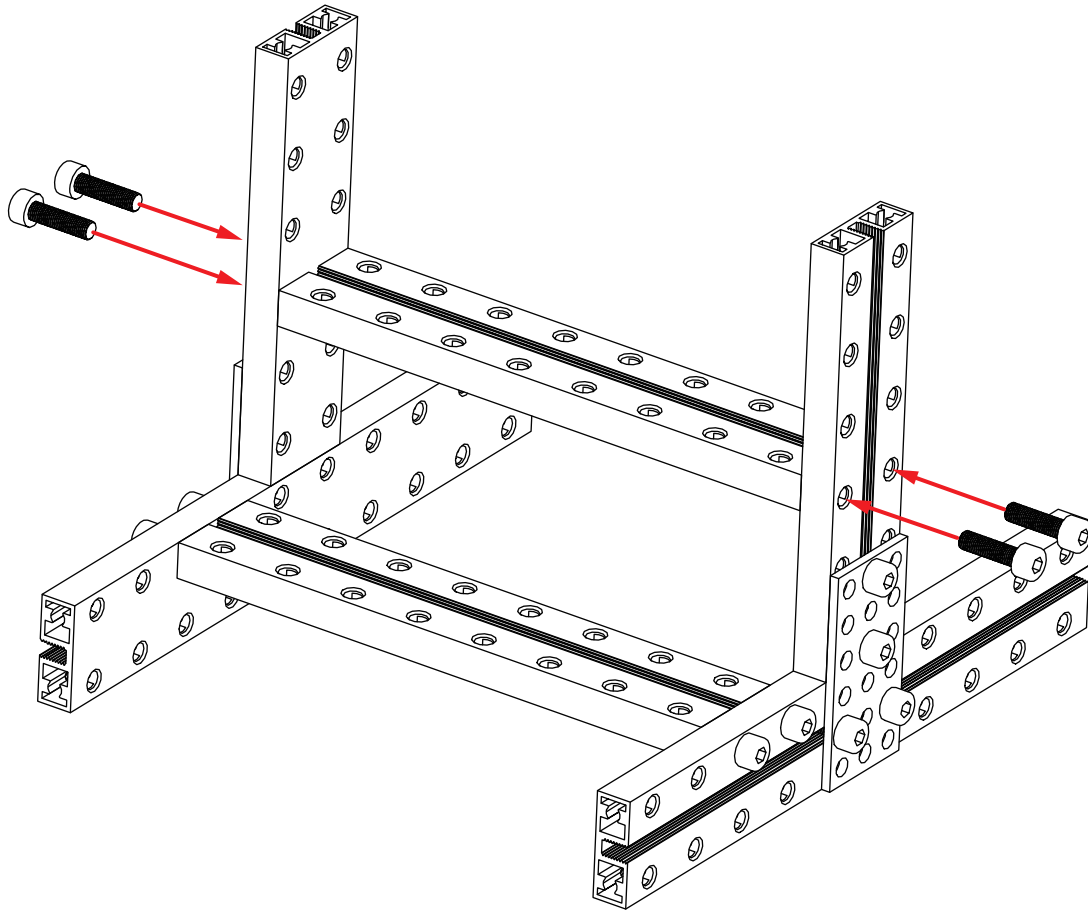


Screw M4X14

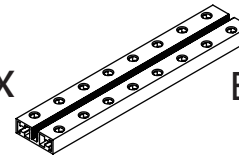
2



3



1x



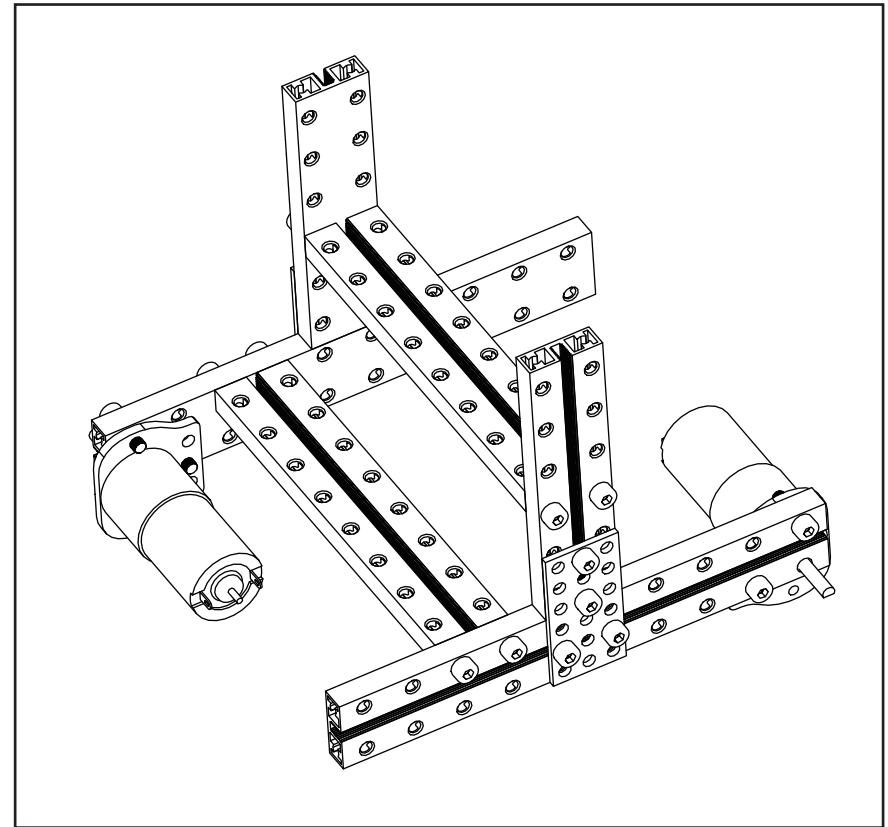
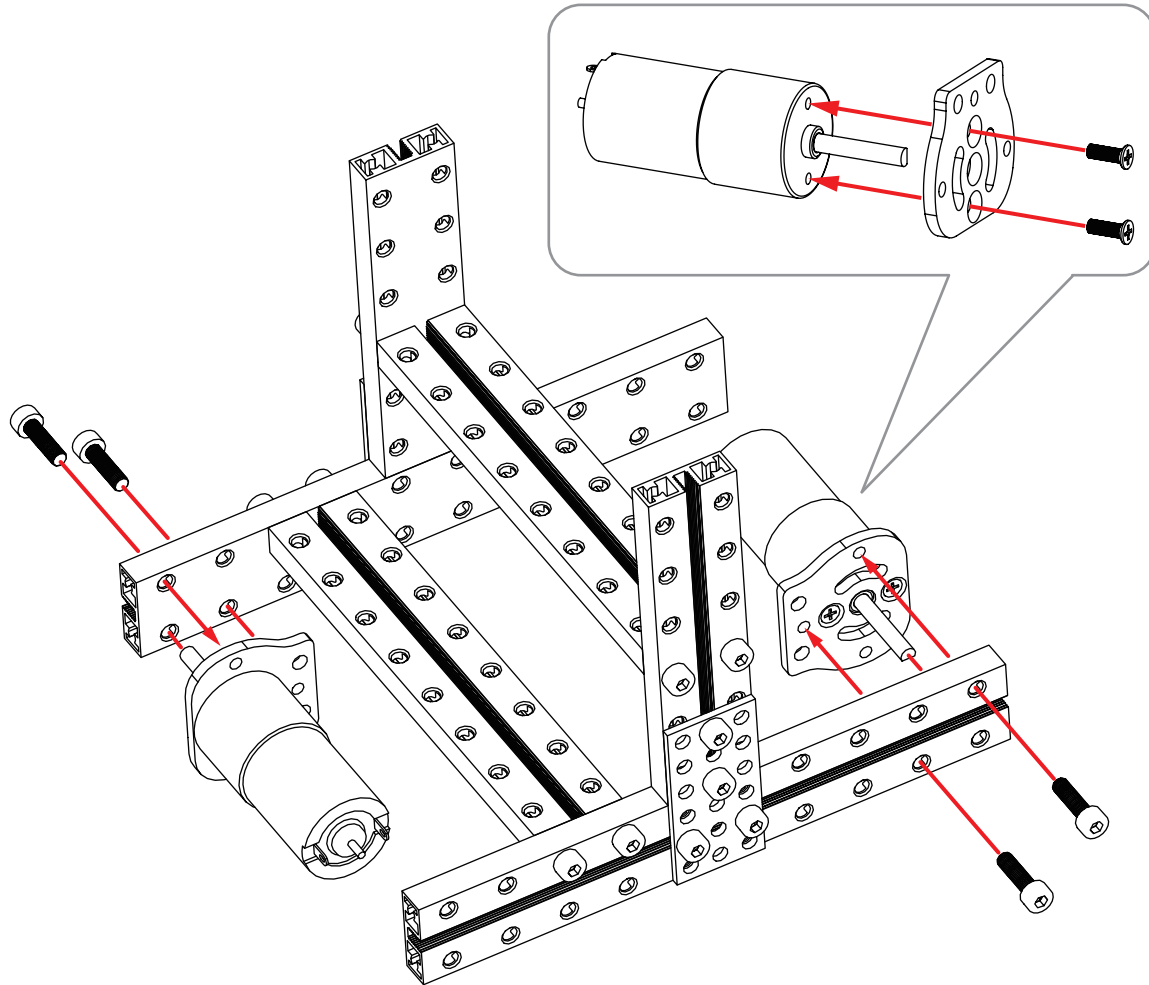
Beam 0824-128

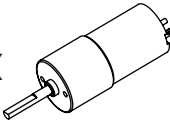



4x



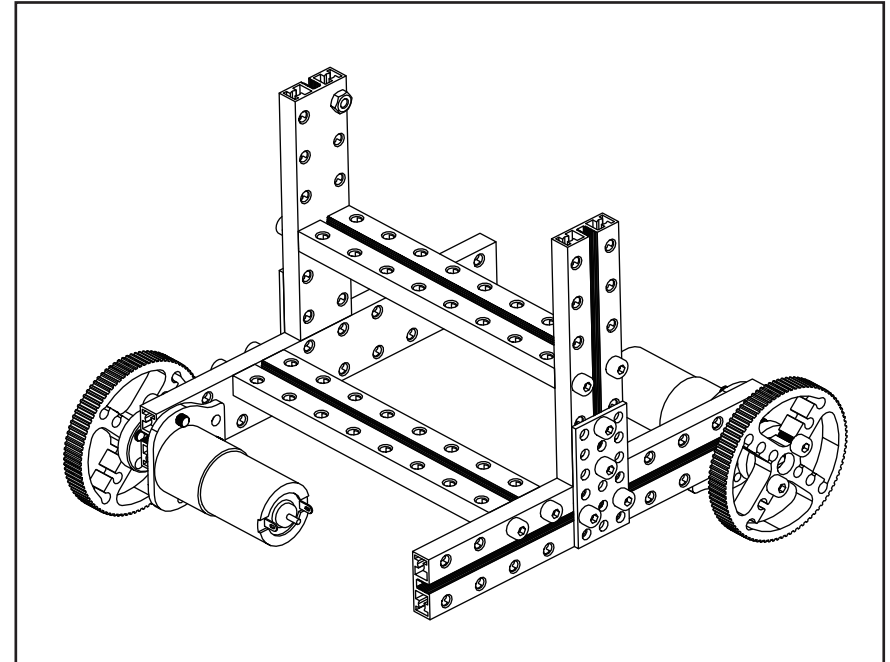
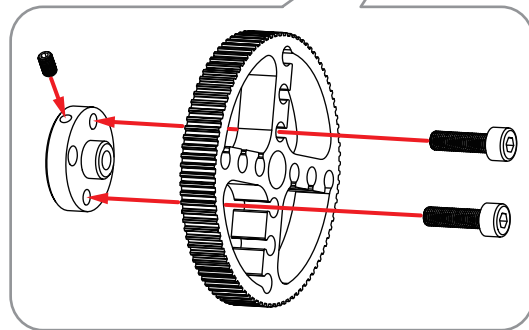
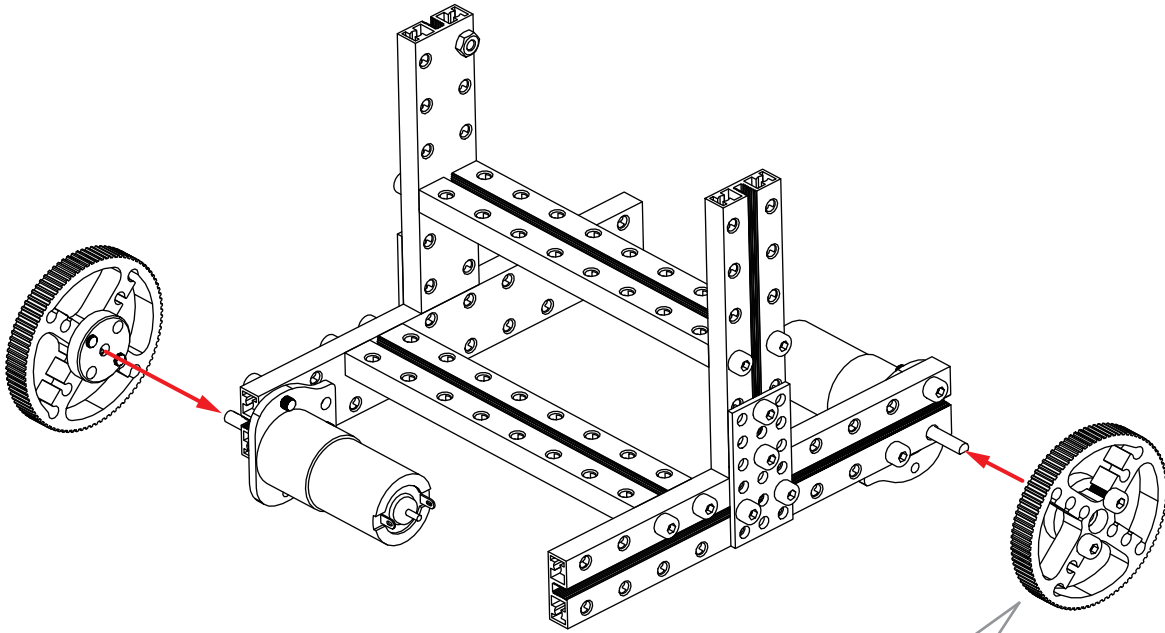
Screw M4X14





4



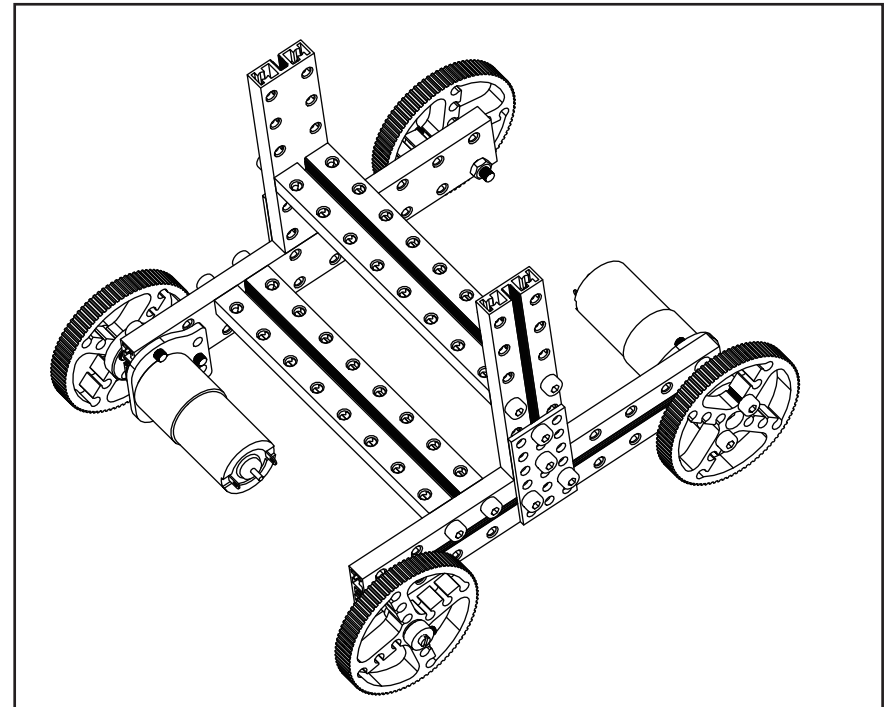
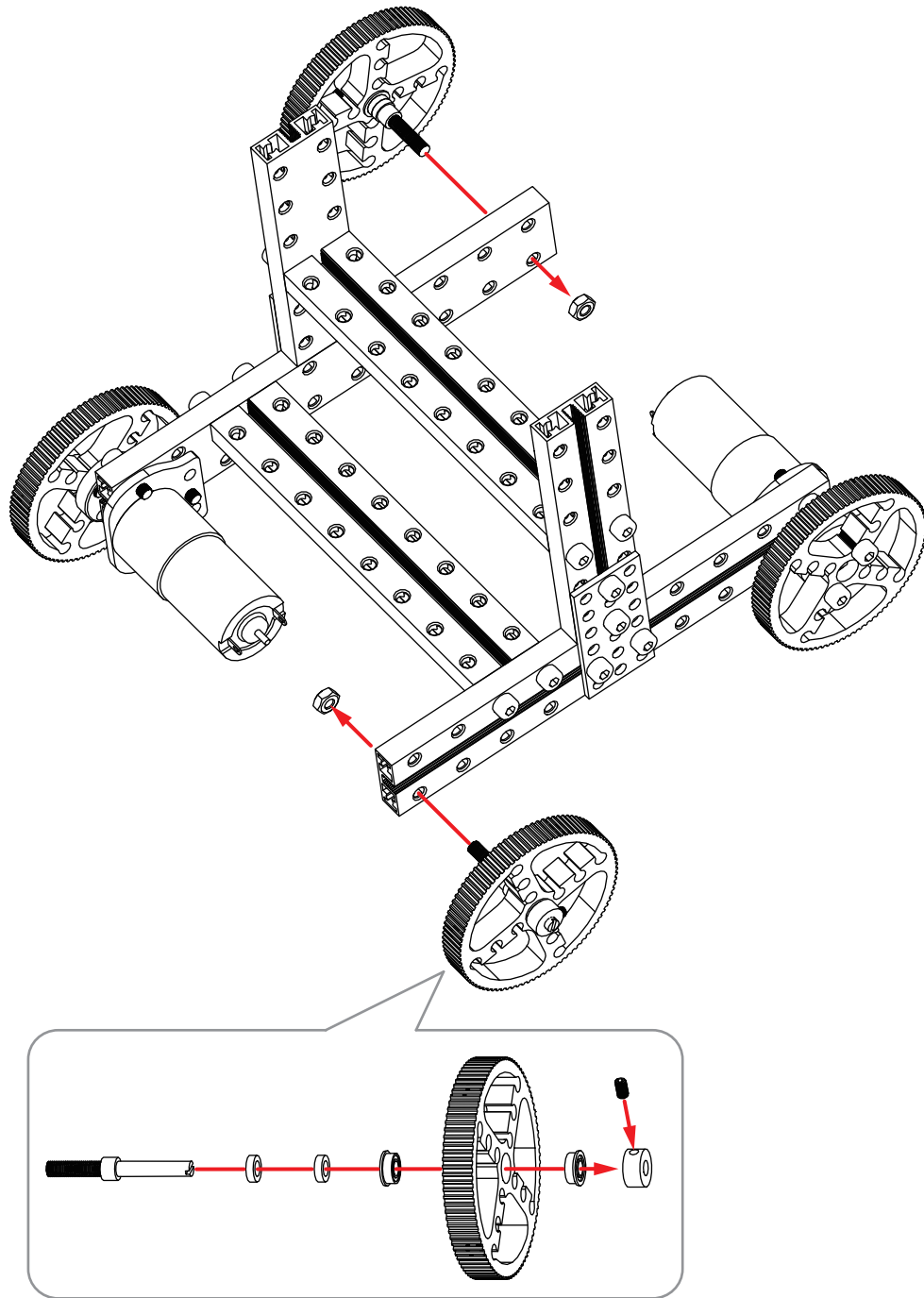
- 2x  DC Motor-25
- 2x  DC Motor-25 Bracket
- 4x  Screw M4X14
- 4x  Countersunk Screw M3x8








5



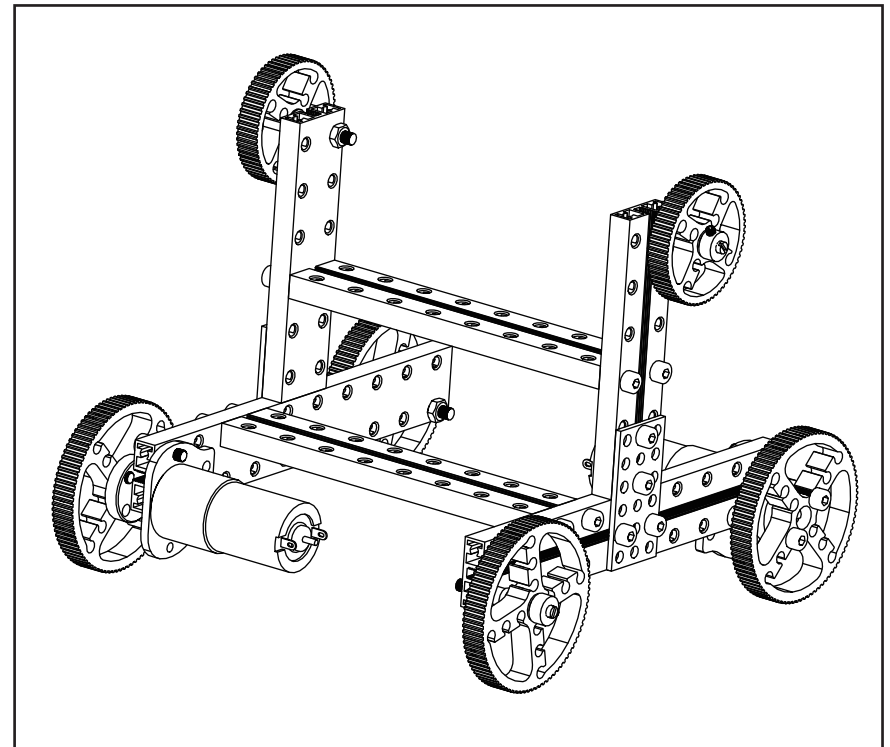
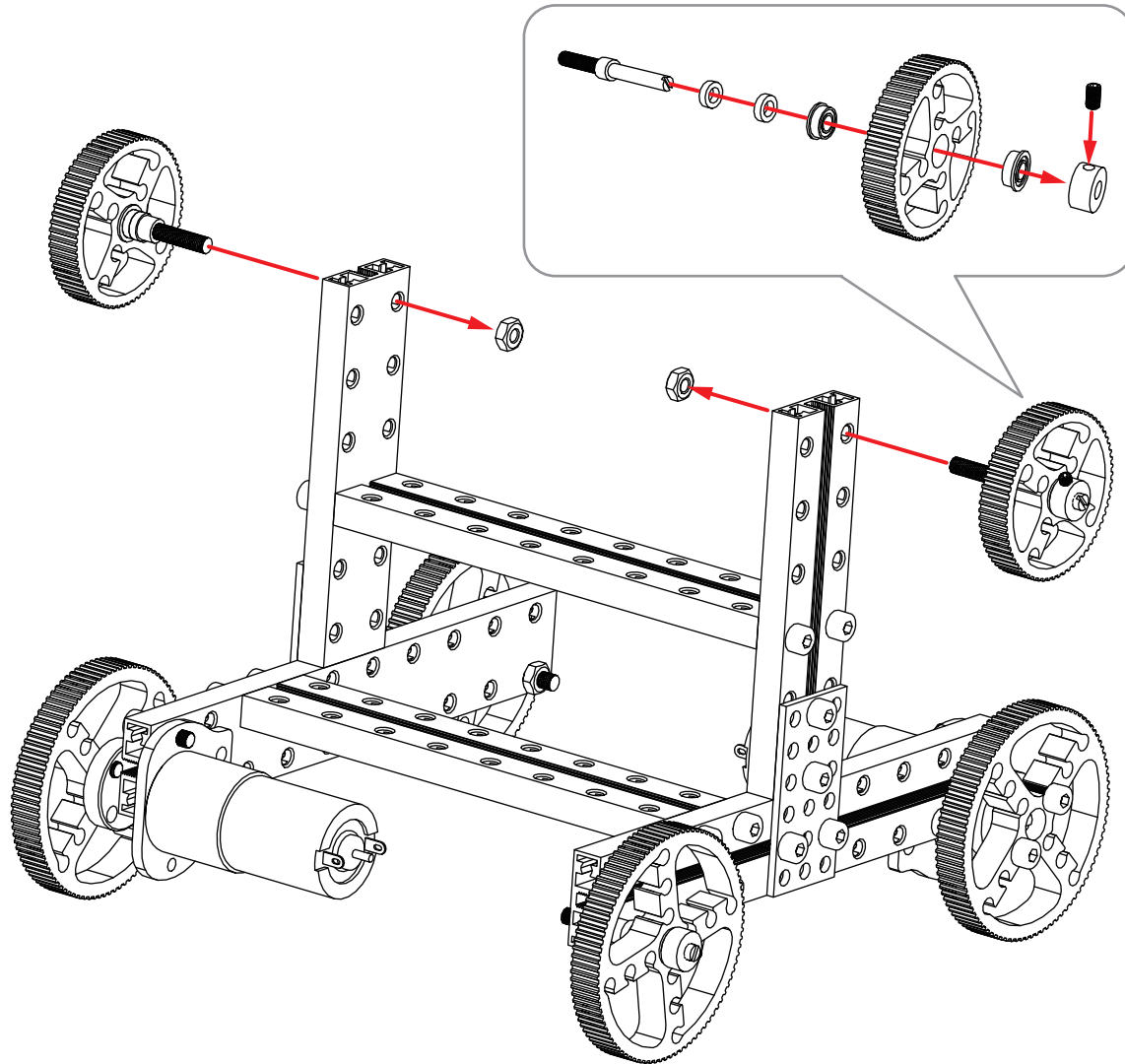
- 2x  Timing Pulley 90T
- 2x  Shaft Connector-4
- 4x  Screw M4X14
- 2x  Headless Screw M3x5








6

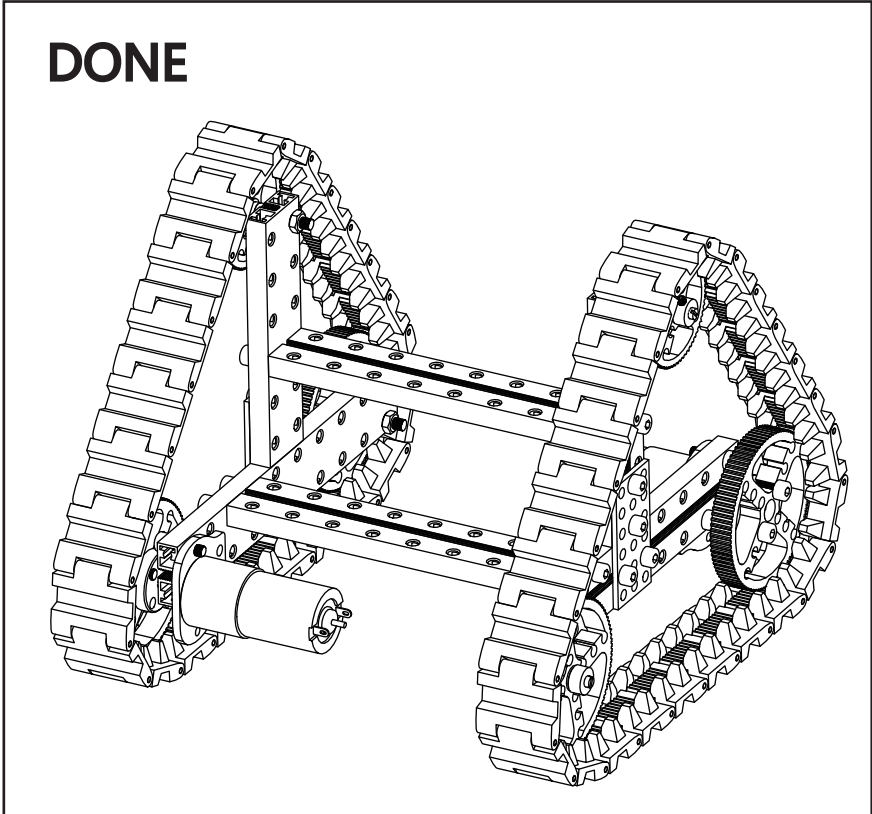
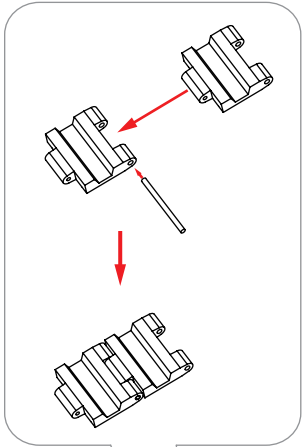
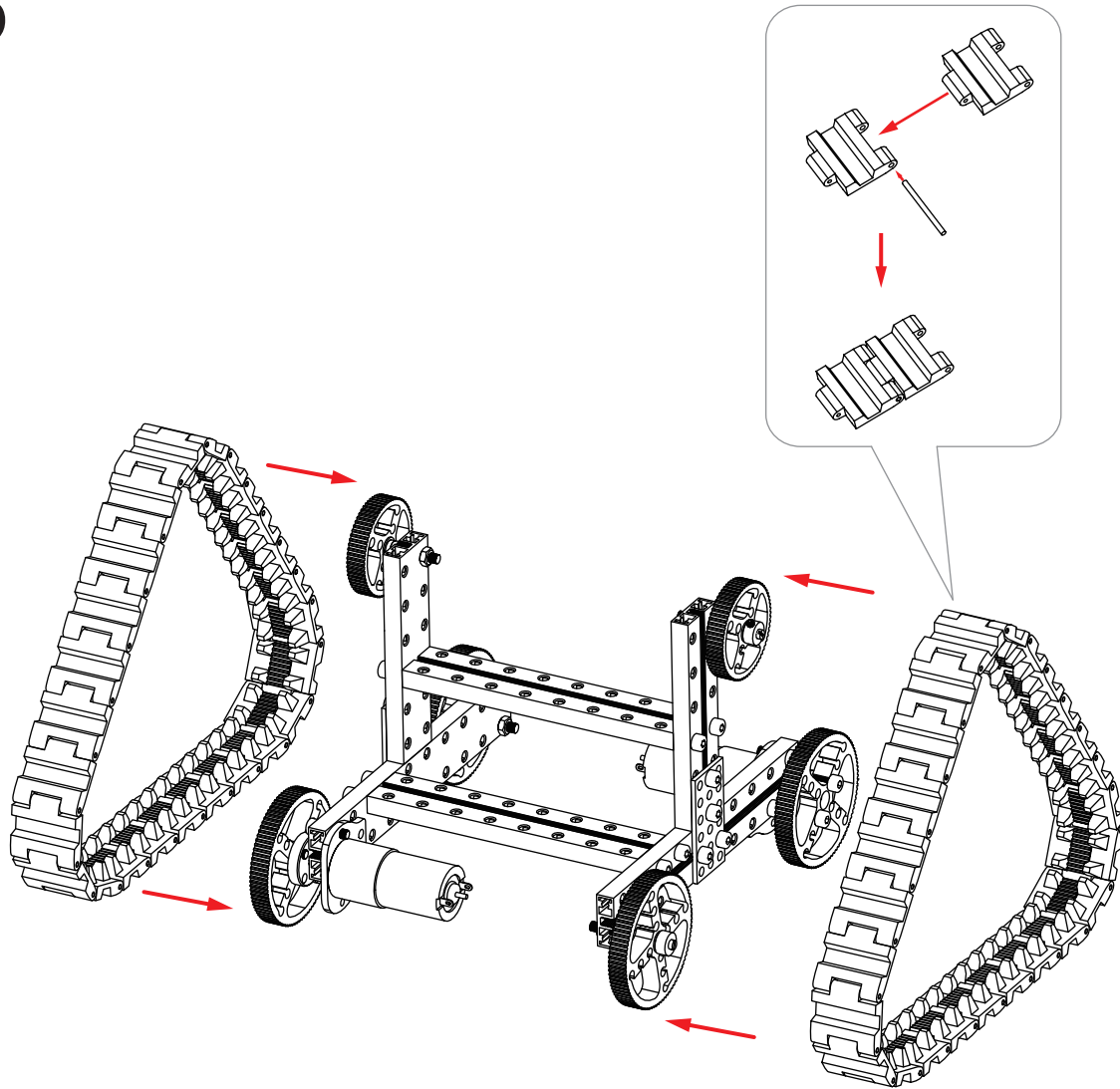


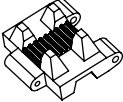

- 2x  Timing Pulley 90T
- 2x  Threaded Shaft 4X31mm
- 2x  Shaft Collar 4mm
- 4x  Flange Bearing 4x8x3mm
- 4x  Plastic Ring 4x7x2
- 2x  Nut M4
- 2x  Headless Screw M3x5

7



- 2x  Timing Pulley 62T
- 2x  Threaded Shaft 4X31mm
- 2x  Shaft Collar 4mm
- 4x  Flange Bearing 4x8x3mm
- 4x  Plastic Ring 4x7x2
- 2x  Nut M4
- 2x  Headless Screw M3x5



- 50x  Track
- 50x  Track Axle